

Fluid Conveyance Solutions
for Construction Equipment

Keeping your
workflow fluid



EATON

Powering Business Worldwide

Application Matrix - Construction Equipment Platform

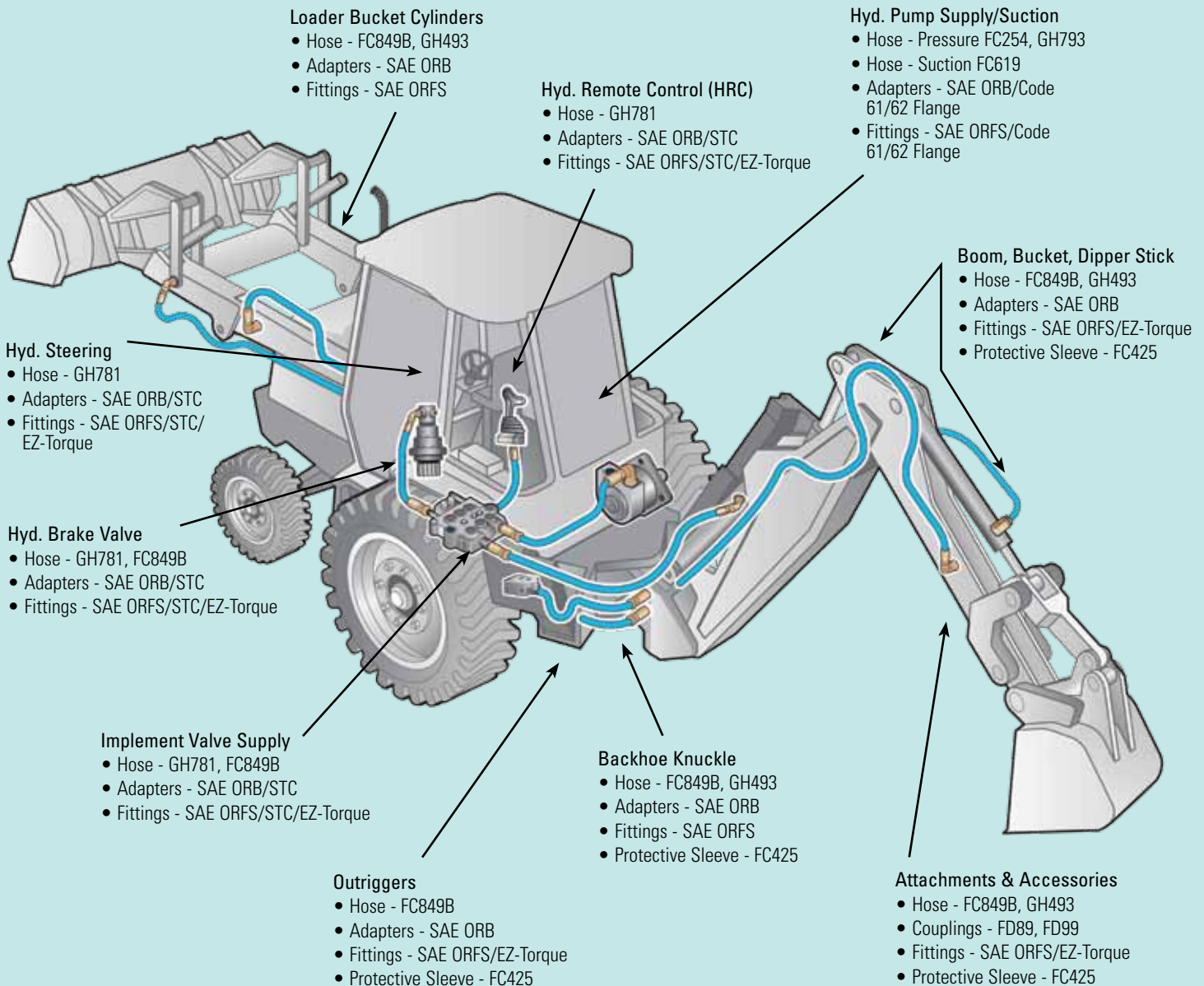
	Hose		Hose End Connections		Port Adapter Connections		Quick Disconnect Couplings		Accessories		EZ Connections & Technology					
	High Pressure (Spiral) 4,000-6,000 psi	High Pressure (2-Wire Braid) 2,000-4,000 psi	Medium Pressure (1-Wire Braid) 1,000-3,300 psi	Low Pressure (Textile) 250-400 psi	Suction (Helical Wire) 28 Hg/in	CODE 61 & 62 Flange High Pressure 3,000-6,000 psi (Best)	JIC O-Ring Face Seal High Pressure 3,000-9,000 psi (Best)	SAE O-Ring & ISO 6149 3,000-6,000 psi (Best)	SAE O-Ring & ISO 6149 3,000-6,000 psi (Best)	High Pressure Low Spill 4,000-8,700 psi (Flush Face)	Medium Pressure Low Spill 2,900-4,000 psi (Flush Face)	Medium Pressure 4,000-5,000 psi (Poppet)	Diagnositic/Fluid Sampling	Hose Abrasion Sleeve, Coils, Clamps & Spacers	STC & STC EZ-Torque	NVH (Noise Vibration & Harshness)
Backhoe Loader																
Pump Supply	FC254	GH793				•	•	•	•							•
Implement Valve, Steering, Brake, Work Circuits		GH781	GH663			•	•	•	•	FD99, FD96	FD89	FD45		•	•	•
Hydraulic Return/Fuel			GH663	FC699		•	•	•	•						•	
Hydraulic Pump Inlet				FC619		•	•	•	•							
Hydraulic Implements/Attachments	GH493	FC849B				•	•	•	•	FD99, FD96	FD89	FD45		•		
Boom, Bucket & Dipper Stick Cylinders	GH493	FC849B				•	•	•	•					•		
Diagnostics												FD15, FD90				
Skid Steer Loader																
Pump Supply	FC254	GH793				•	•	•	•							•
Hydrostatic Drive	GH493					•	•	•	•							
Implement Valve, Steering, Brake, Work Circuits		GH781	GH663			•	•	•	•	FD99, FD96	FD89	FD45		•	•	•
Hydraulic Return/Fuel			GH663	FC699		•	•	•	•						•	
Hydraulic Pump Inlet				FC619		•	•	•	•							
Hydraulic Implements/Attachments			FC849B			•	•	•	•	FD99, FD96	FD89	FD45		•		
Bucket Cylinders			FC849B			•	•	•	•					•		
Diagnostics												FD15, FD90				
Mini-Excavator																
Pump Supply	FC254	GH793				•	•	•	•							•
Hydrostatic Drive	GH493					•	•	•	•							
Implement Valve, Steering, Brake, Work Circuits		GH781	GH663			•	•	•	•	FD99, FD96	FD89	FD45		•	•	•
Hydraulic Return/Fuel			GH663	FC699		•	•	•	•						•	
Hydraulic Pump Inlet				FC619		•	•	•	•							
Hydraulic Implements/Attachments			FC849B			•	•	•	•	FD99, FD96	FD89	FD45		•		
Boom, Bucket & Dipper Stick Cylinders			FC849B			•	•	•	•					•		
Diagnostics												FD15, FD90				
Excavator																
Pump Supply	GH466	GH793				•	•	•	•							•
Implement Valve, Steering, Brake, Work Circuits	GH466	GH781	GH663			•	•	•	•	FD99, FD96	FD89	FD45		•	•	•
Hydraulic Return/Fuel			GH663	FC699		•	•	•	•						•	
Hydraulic Pump Inlet				FC619		•	•	•	•							
Hydraulic Implements/Attachments	FC273B	FC849B				•	•	•	•	FD99, FD96	FD89	FD45		•		
Boom, Bucket & Dipper Stick Cylinders	FC273B	FC849B				•	•	•	•					•		
Diagnostics												FD15, FD90				
Motor Grader																
Pump Supply	FC254	GH793				•	•	•	•							•
Implement Valve, Steering, Brake, Work Circuits		GH781	GH663			•	•	•	•	FD99, FD96	FD89	FD45		•	•	•
Hydraulic Return/Fuel			GH663	FC699		•	•	•	•						•	
Hydraulic Pump Inlet				FC619		•	•	•	•							
Hydraulic Implements/Attachments	GH493	FC849B				•	•	•	•	FD99, FD96	FD89	FD45		•		
Blade, Tilt & Steering Cylinders	GH493	FC849B				•	•	•	•					•		
Diagnostics												FD15, FD90				
Wheel Loader																
Pump Supply	GH466	GH793				•	•	•	•							•
Implement Valve, Steering, Brake, Work Circuits	GH466	GH793	GH663			•	•	•	•	FD99, FD96	FD89	FD45		•	•	•
Hydraulic Return/Fuel			GH663	FC699		•	•	•	•						•	
Hydraulic Pump Inlet				FC619		•	•	•	•							
Hydraulic Implements/Attachments	FC273(B)	FC849B				•	•	•	•	FD99, FD96	FD89	FD45		•		
Diagnostics												FD15, FD90				
Dozers																
Pump Supply	FC606	GH793				•	•	•	•							•
Hydrostatic Drive	FC606					•	•	•	•							
Implement Valve, Steering, Brake, Work Circuits		GH781	GH663			•	•	•	•	FD99, FD96	FD89	FD45		•	•	•
Hydraulic Return/Fuel			GH663	FC699		•	•	•	•						•	
Hydraulic Pump Inlet				FC619		•	•	•	•							
Hydraulic Implements/Attachments	FC273B	FC849B				•	•	•	•	FD99, FD96	FD89	FD45		•		
Blade Cylinders			FC849B			•	•	•	•					•		
Diagnostics												FD15, FD90				
Pavers/Finishers																
Pump Supply	GH493	GH793				•	•	•	•							•
Implement Valve, Steering, Brake, Work Circuits		GH781	GH663			•	•	•	•	FD99, FD96	FD89	FD45		•	•	•
Hydraulic Return/Fuel			GH663	FC699		•	•	•	•						•	
Hydraulic Pump Inlet				FC619		•	•	•	•							
Hydraulic Implements/Attachments	GH493	FC849B				•	•	•	•	FD99, FD96	FD89	FD45		•		
Diagnostics																

• The listed product families are general proposals by Eaton and should be confirmed based on pressure and size requirements for the specific application. Refer to the appropriate Eaton product line catalog for the complete line of Eaton fluid conveyance product offering or contact Eaton technical support for additional product information.

We've got you covered

For over 40 years Eaton has continued to manufacture the highest performing and highest quality fluid conveyance products for the global construction market. Eaton's quality and performance have never been compromised when it comes to engineering and manufacturing its fluid conveyance products. As a full line supplier and industry leader, Eaton offers a complete line of hydraulic and fluid transfer hoses, quick disconnect couplings, swivel joints, adapters and tube fittings, custom tubes and accessories. From high pressure and high impulse applications to improving throughput and installation with new advanced technologies, Eaton has a complete line of fluid conveyance solutions for any construction application. The outlined products and general proposals are a representation of the complete product portfolio Eaton has available for your application needs.

Backhoe Loader



New Product Highlights



Eaton STC® Threadless Connectors

The broadest range of threadless connectors in the industry! Eaton patented technology has been extremely successful in various rigorous construction applications. Rated Pressure: Up to 345 bar (5,000 psi). The new -4 size STC is ideal for hydraulic, pilot and lube lines. Document numbers A-MEFI-MC002-E and E-HOAS-MS002-E.

Eaton Quick Disconnect Couplings

New product line enhancements include the FD99 series ISO 16028 high pressure coupling and FD96 series thread together high pressure and connect under pressure flush face. The FD99 and FD96 product lines boast pressures from 4,000 psi up to 8,700 psi. Increased pressures, fluid compatibility and improved performance for construction applications complement the current Eaton QD product line. Document numbers E-HOAS-MC002-E and E-MEQD-MC001-E.



Mini Excavator

Boom, Bucket, Dipper Stick

- Hose - FC849B
- Adapters - SAE ORB
- Fittings - SAE ORFS/EZ-Torque
- Protective Sleeve - FC425

Hyd. Remote Control (HRC)

- Hose - GH781
- Adapters - SAE ORB/STC
- Fittings - SAE ORFS/STC/EZ-Torque

Hyd. Pump Supply/Suction

- Hose - High Pressure FC254, GH793
- Hose - Suction FC619
- Adapters - SAE ORB/Code 61/62 Flange
- Fittings - SAE ORFS/Code 61/62 Flange

Hyd. Brake Valve

- Hose - GH781
- Adapters - SAE ORB/STC
- Fittings - SAE ORFS/STC/EZ-Torque

Blade and Cylinder

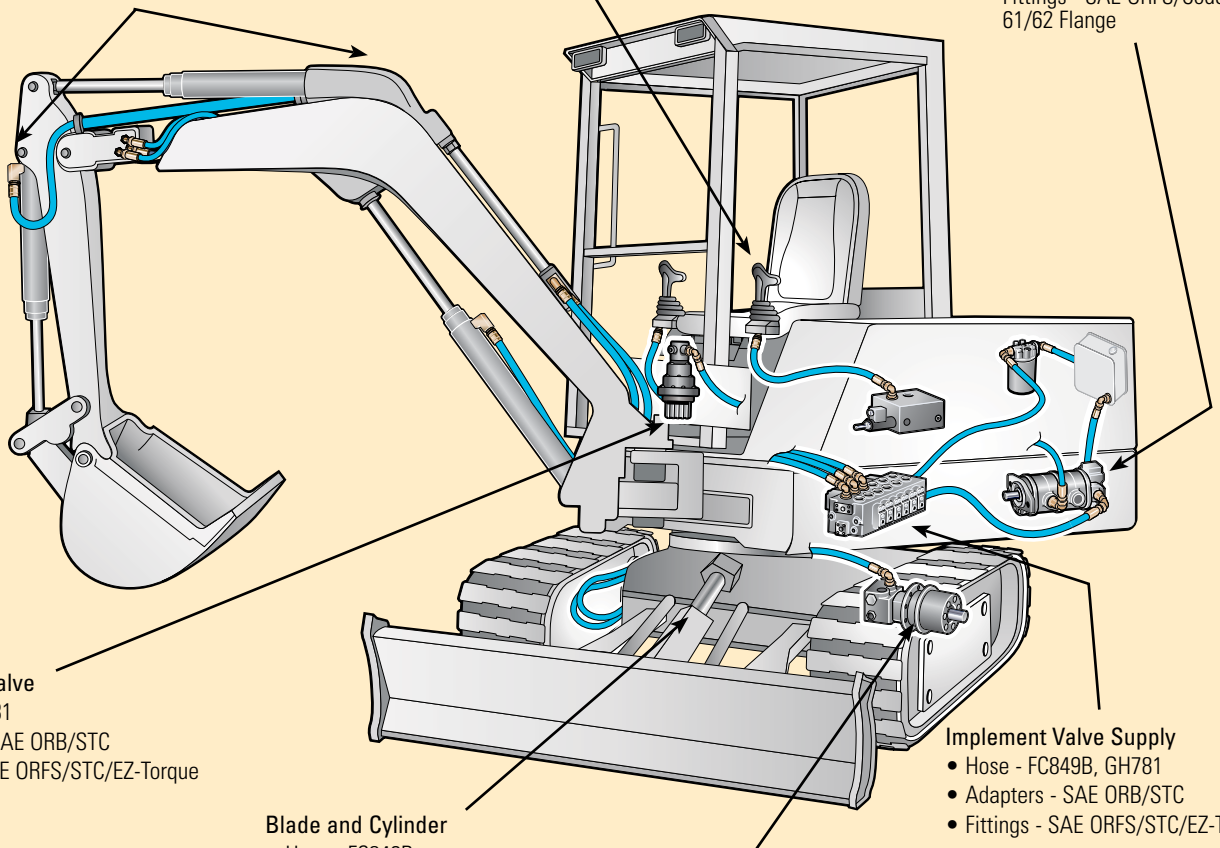
- Hose - FC849B
- Couplings - FD89, FD99
- Fittings - SAE ORFS/EZ-Torque
- Protective Sleeve - FC425

Hydrostatic Drive

- Hose - GH493
- Adapters - SAE ORB/Code 61/62 Flange
- Fittings - SAE ORFS/EZ-Torque
- Protective Sleeve - FC425

Implement Valve Supply

- Hose - FC849B, GH781
- Adapters - SAE ORB/STC
- Fittings - SAE ORFS/STC/EZ-Torque



Eaton Fluid Conveyance Accessories

Eaton offers a world-class range of ballistic nylon abrasion sleeves (FC425), fire sleeve, plastic and metal coiled hose protectors, bundling straps and multiple clamping products to meet all application needs. Document number E-HOAS-MC001-E.

STC® EZ-Torque

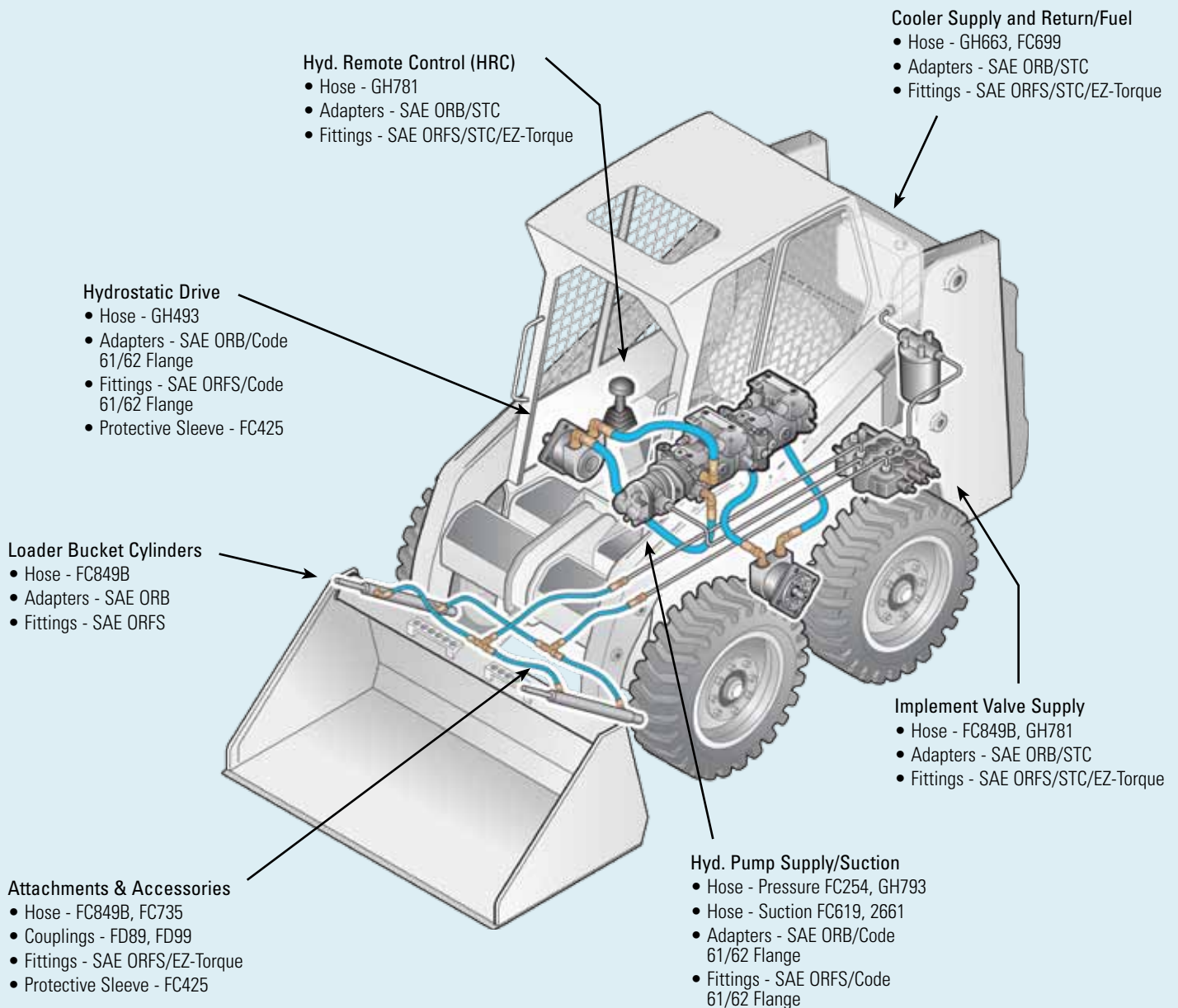
Eaton's STC® EZ-Torque is the solution to simplifying your fluid conveyance connections. STC EZ-Torque eliminates the need for port adapters while minimizing operator-dependent leak paths. This next generation connector also reduces hose installation time with a simple "push and torque" assembly feature. STC EZ-Torque is ideal for hydraulic construction applications. Document number E-MEFI-MR001-E.

Eaton High Performing Triple Crown Hose

Select Aeroquip® hydraulic hoses feature improved hose construction technologies such as improved wire reinforcement designs and processing, new insulation materials, and improved hose manufacturing processes. The Aeroquip Triple Crown Advantage means higher pressure ratings, improved working temperatures, and better abrasion resistance leading to longer hose life in applications requiring higher levels of performance. Document number A-HOMM-MR001-E.



Skid Steer Loader



Eaton
Hydraulics Business USA
14615 Lone Oak Road
Eden Prairie, MN 55344
USA
Tel: 952-937-9800
Fax: 952-294-7722
www.eaton.com/hydraulics

Eaton
Hydraulics Business Europe
Route de la Longeraie 7
1110 Morges
Switzerland
Tel: +41 (0) 21 811 4600
Fax: +41 (0) 21 811 4601

Eaton
Hydraulics Group Asia Pacific
Eaton Building
4th Floor, No. 3 Lane 280 Linhong Rd.
Changning District
Shanghai 200335
China
Tel: (+86 21) 5200 0099
Fax: (+86 21) 5200 0400